

13211

01-10 CHEVY SILVERADO & GMC SIERRA / 2500HD, 3500

8/19/2020

GROSS LOAD CAPACITY WHEN USED AS A WEIGHT CARRYING HITCH: 6,000 LBS. TRAILER WEIGHT & 600 LBS. TONGUE WEIGHT.
 GROSS LOAD CAPACITY WHEN USED AS A WEIGHT DISTRIBUTION HITCH: 10,000 LBS. TRAILER WEIGHT & 1,000 LBS. TONGUE WEIGHT

DO NOT EXCEED VEHICLE MANUFACTURER'S RECOMMENDED TOWING CAPACITY.

| Parts List | | | |
|------------|-----|-------------|--|
| ITEM | QTY | PART NUMBER | DESCRIPTION |
| 1 | 4 | 20-00102 | NUT,SER-FLANGE,3/8-16 UNC,GRD8,YZ |
| 2 | 4 | 10-10521 | 3/8-16 X 1" CARRIAGE BOLT |
| 3 | 4 | 20-00104 | NUT,SER-FLANGE,9/16-12 UNC,GRD8,YZ |
| 4 | 2 | CM-SP8 | .188 x 1.25 x 1.50" ROUND HOLE SPACER |
| 5 | 4 | 10-10489 | HHCS,9/16-12 UNC,1-3/4,GRD8,YZ |
| 6 | 2 | CM-SP9 | .375 x 1.25 x 2.50" SQUARE HOLE SPACER |
| 7 | 2 | CM-13211-MS | .250" MOUNTING STRAP |

TOOLS REQUIRED

RATCHET

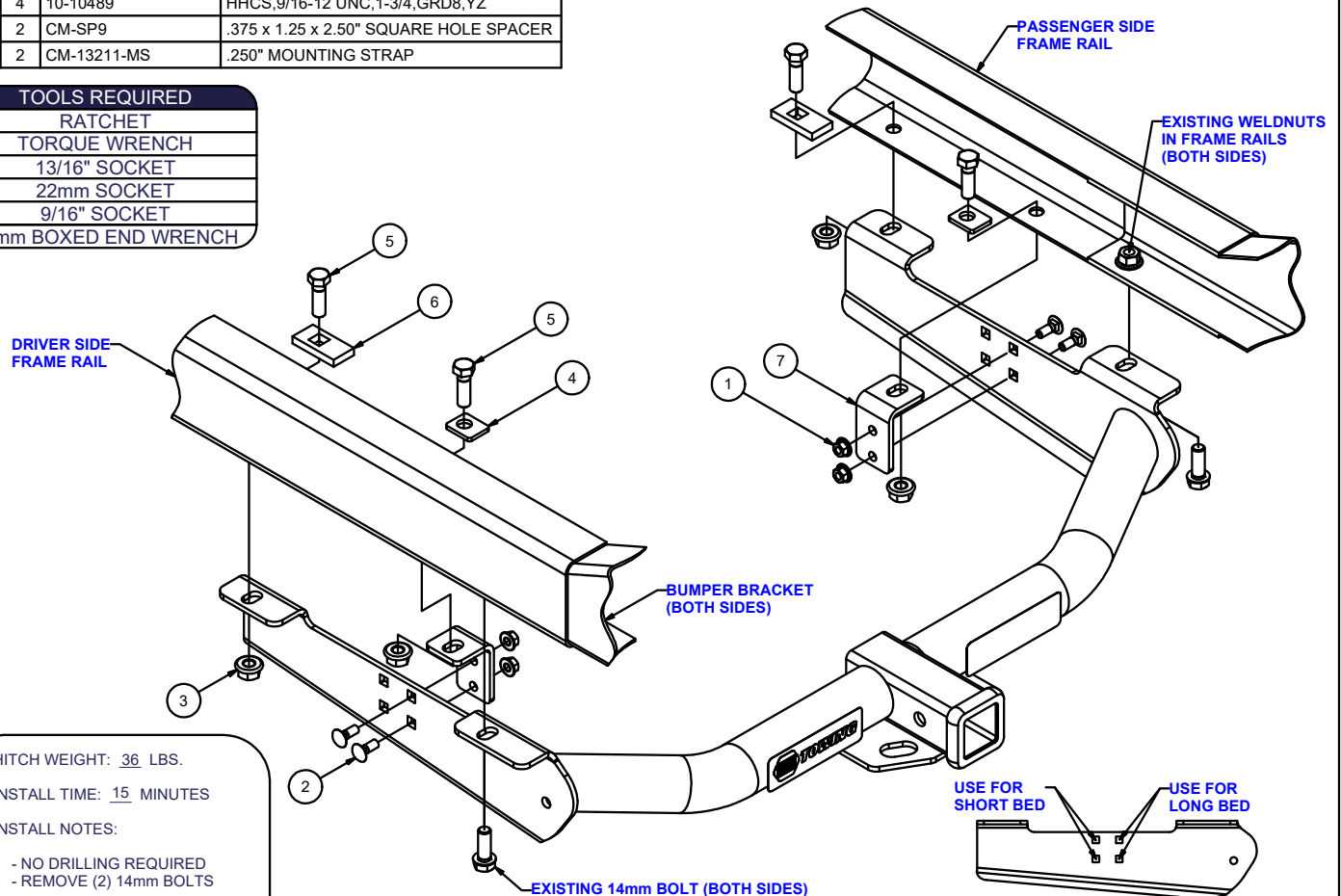
TORQUE WRENCH

13/16" SOCKET

22mm SOCKET

9/16" SOCKET

22mm BOXED END WRENCH

HITCH WEIGHT: 36 LBS.INSTALL TIME: 15 MINUTES

INSTALL NOTES:

- NO DRILLING REQUIRED
- REMOVE (2) 14mm BOLTS

INSTALLATION STEPS

- 1) Remove the 14mm bolts that are located in the rear most bottom section of each frame rail. Save bolts for Step (2).
- 2) Raise hitch into position aligning the open holes in each frame rail where the 14mm bolts were previously removed. Loosely secure hitch in place using 14mm bolts removed in Step (1).
- 3) Refer diagram above for bed configurations to determine mounting strap location. Place mounting straps against the inside surface of each hitch side plate in line with the corresponding set of holes in the side plates. Loosely install carriage bolts and hex flange nuts to secure mounting straps to side plates.
- 4) Secure the installed mounting straps to the bottom of the frame rail through existing holes as shown.
- 5) Install remaining 9/16" fasteners through existing holes in frame rail.
- 6) Torque all 3/8" fasteners to 45 lb-ft, all 9/16" fasteners to 150 lb-ft, and all 14mm fasteners to 136 lb-ft.

PERIODICALLY CHECK THIS RECEIVER HITCH TO ENSURE THAT ALL FASTENERS ARE TIGHT AND THAT ALL STRUCTURAL COMPONENTS ARE SOUND.

Curt Manufacturing Inc., warrants this product to be free of defects in material and/or workmanship at the time of retail purchase by the original purchaser. If the product is found to be defective, Curt Manufacturing Inc., may repair or replace the product, at their option, when the product is returned, prepaid, with proof of purchase. Alteration to, misuse of, or improper installation of this product voids the warranty. Curt Manufacturing Inc.'s liability is limited to repair or replacement of products found to be defective, and specifically excludes liability for incidental or consequential loss or damage.